



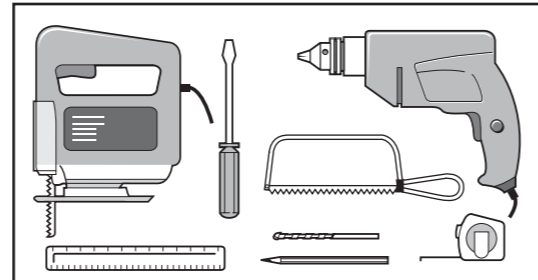
Drill holes for extra large door

Drill holes for large door

Drill holes for medium door

Drill holes for small door

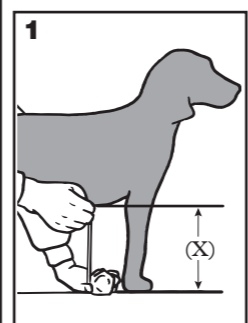
Freedom Door Installation Guide and Template

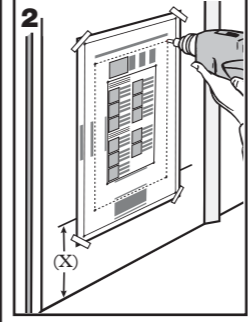


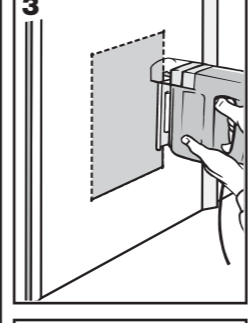
Tools required:


- Jigsaw
- Drill
- 3/16" drill bit
- Pencil
- Screwdriver
- Tape measure
- Ruler
- Hacksaw

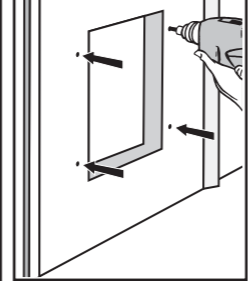
Preparing your house door

- 

1 Measure pet chest height. Mark height on your door (X).
- 

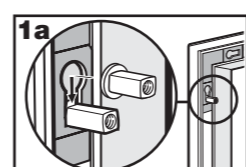
2 From the house interior, position required template base at chest height marked on door (X). Drill holes as indicated.
- 

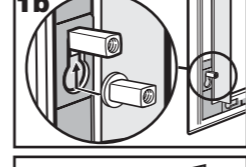
3 Remove template. Cut between holes using jigsaw.
- 

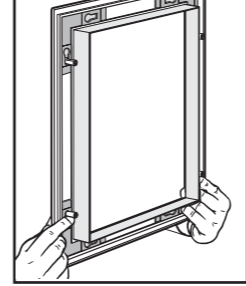
4 Hold inner pet door frame in position. Mark screw holes with a pencil.
- 

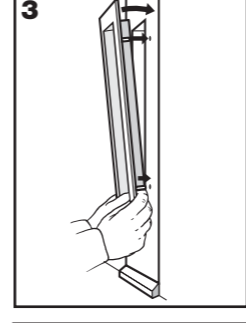
5 Remove inner pet door frame. Drill holes as indicated.

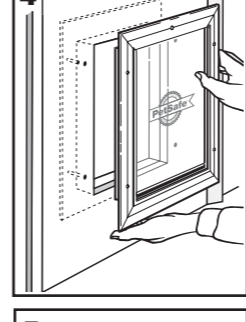
Installing your pet door


- 

1a Insert the sleeves into the 4 key-hole slots. Ensure angled edges of sleeve heads are in position as indicated.
- 

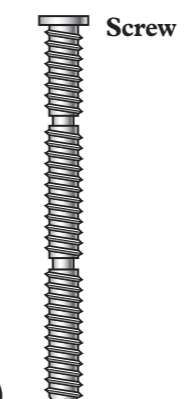
1b
- 

2 From the house exterior, hold bottom screw sleeves as indicated.
Note: Tape can be used to hold screws in place.
- 

3 Fit outer frame by inserting bottom screw sleeves first. Tilt frame forward as indicated, until flush with outer door surface.
- 

4 From the house interior fit inner frame.
- 

5 Measure your door thickness. Cut screws to suitable length. Using screws that are too long may damage front frame. Do not over tighten.



Extra Large

Large

Medium

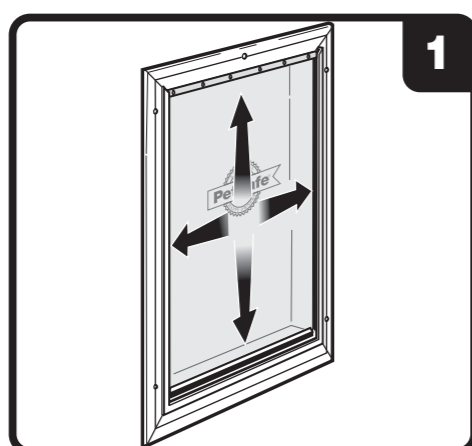
Small

Small

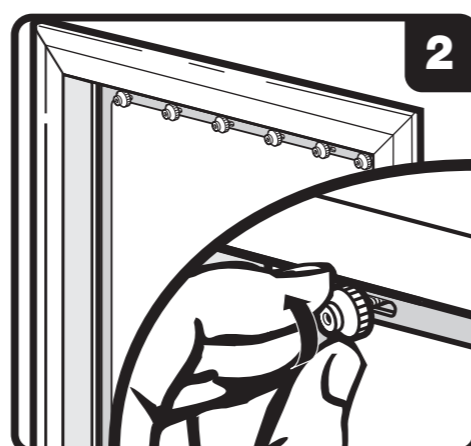
Medium

Large

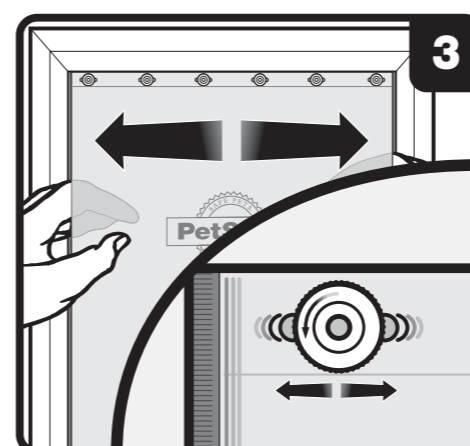
Fitting your flexible flap



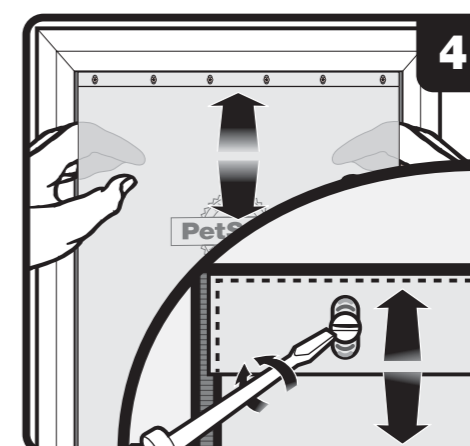
1 The flexible flap is adjustable to fit into frame correctly.



2 Attach all nuts.



3. HORIZONTAL ADJUSTMENT.
Move flap left or right to adjust position. Tighten nuts when correct.



4. VERTICAL ADJUSTMENT
Move flap up or down to adjust position. Tighten nuts when correct.

To get the most protection out of your limited warranty, please register your product within 90 days at www.petsafe.net. By registering, you will enjoy the product's full warranty and should you ever need to call the Customer Care Center, we will be able to help you faster. Additionally, you will not have to save your product receipt as registering serves as proof of purchase. Most importantly, PetSafe will never give or sell your valuable information to anyone.

Extra Large